

HabaCHAIN[®] Snap-on 1843T (Radius)

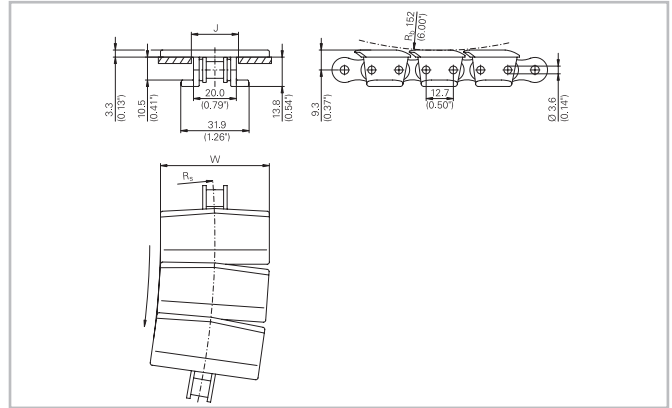


Your Source For Habasit
Belting And Chain

www.StilesEnterprises.com • 1-800-325-4232

Description

Snap-on 1843T is a tabbed standard duty radius and straight running snap-on chain. It is a two piece system that has a metallic 1/2" pitch 1843 roller chain with snap-on plastic top plates. Top plate thickness 3.2 mm. Applications include packaging and high load/speed applications.



Chain Data

Habasit code	Width W		Weight		Nominal tensile strength F _N		J (straight)		J (curve)		R _s		Material
	mm	inch	kg/m	lb/ft	N	lbf	mm	inch	mm	inch	mm	inch	
C1843S0125DPTA	31.7	1.25	0.83	0.56	2500	563	22.4	0.88	21.3	0.84	315	12.4	DP
C1843S0125LFTA	31.7	1.25	0.83	0.56	2500	563	22.4	0.88	21.3	0.84	315	12.4	LF
C1843S0125PTTA	32.7	1.29	0.83	0.56	2500	563	22.4	0.88	21.3	0.84	315	12.4	PT
C1843S0150DPTA	38.1	1.50	0.85	0.57	2500	563	22.4	0.88	21.3	0.84	315	12.4	DP
C1843S0150LFTA	38.1	1.50	0.85	0.57	2500	563	22.4	0.88	21.3	0.84	315	12.4	LF
C1843S0150PTTA	39.1	1.54	0.85	0.57	2500	563	22.4	0.88	21.3	0.84	315	12.4	PT
C1843S0200DPTA	50.8	2.00	0.90	0.60	2500	563	22.4	0.88	21.3	0.84	315	12.4	DP
C1843S0200LFTA	50.8	2.00	0.90	0.60	2500	563	22.4	0.88	21.3	0.84	315	12.4	LF
C1843S0200PTTA	51.8	2.04	0.90	0.60	2500	563	22.4	0.88	21.3	0.84	315	12.4	PT
C1843S0325DPTA	82.6	3.25	1.02	0.69	2500	563	22.4	0.88	21.3	0.84	315	12.4	DP
C1843S0325LFTA	82.6	3.25	1.02	0.69	2500	563	22.4	0.88	21.3	0.84	315	12.4	LF
C1843S0325PTTA	83.6	3.29	1.02	0.69	2500	563	22.4	0.88	21.3	0.84	315	12.4	PT

Base chain:

- Standard material is CS
- Stainless steel (suffix + SS) on request: Max. workload 1800 N (400 lbf)
- Nomenclature for base chain only:
-C1843B0050CS
-C1843B0050SS
- Standard packaging: 3.048 m = 10ft (including one connecting link)
- The weight specification is indicative
- Other top plate material available on request
- Driven by standard #40 series roller chain sprockets

For further information and availability please contact your local Habasit partner.